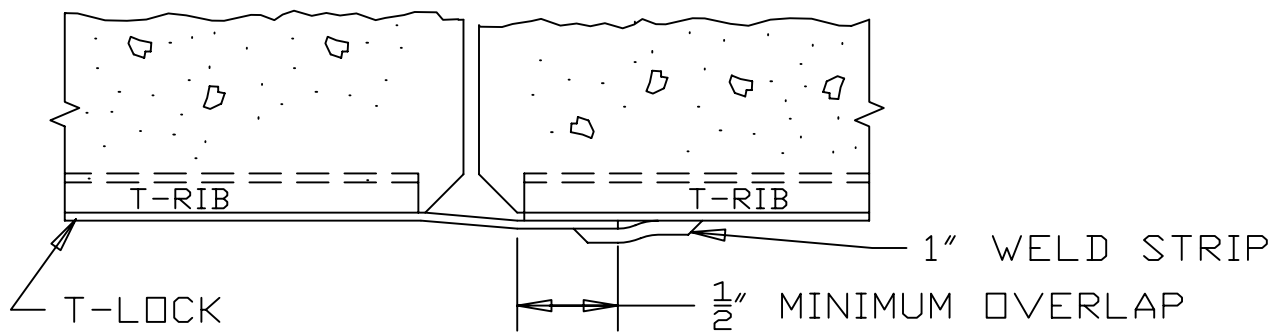


TYPE S-1 JOINT



TYPE S-2 JOINT

**Ameron** PROTECTIVE LINING DIVISION

FIELD JOINTS FOR T-LOCK®  
LINED TUNNEL SEGMENTS

DRAWN J.G. 9/07  
APPV'D

PLD-TL-016

REV  
0