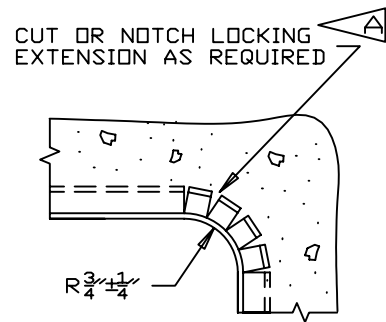
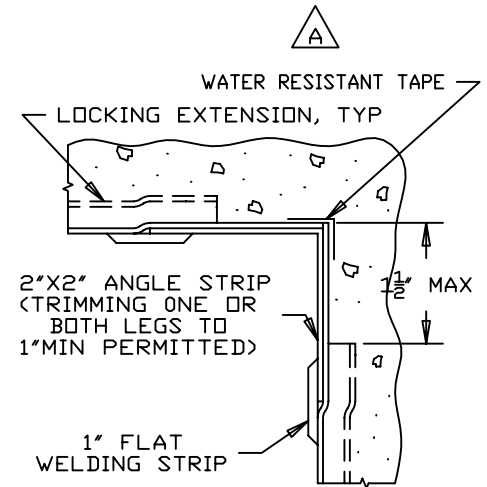


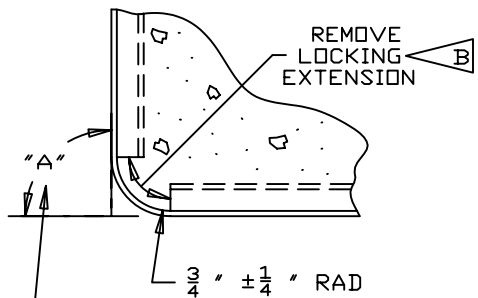
OUTSIDE CORNER



INSIDE CORNER



INSIDE CORNER



IF ANGLE "A" EXCEEDS 60°, INSTALL METAL OR WOOD FORM STRIPS OR AN APPROVED FILLER COMPOUND TO PROVIDE SOLID BACKING FOR LINER PLATE

OUTSIDE CORNER

NOTES:

- A** THE CUTTING, NOTCHING AND/OR REMOVAL OF LOCKING EXTENSIONS FROM LINER PLATE SHEETS TO BE DONE IN SUCH A MANNER SO AS NOT TO DAMAGE THE MAIN SHEET.
- B** THE LOCKING EXTENSIONS SHALL BE REMOVED TO WITHIN 1/32" OF THE FACE OF THE MAIN SHEET.
- C) SHEET MUST BE ABOVE 50°F TO PERMIT BENDING AND HIGHER TEMPERATURES ARE RECOMMENDED TO IMPROVE HANDLING.
- D) FOR JOINT WELD SEE DETAIL PLD-TL-010

				<b>Ameron</b> PROTECTIVE LINING DIVISION			
				AMER-PLATE CORNER DETAILS			
REMOVE ALT CORNER DETAIL				10-06	Jpg		
<b>A</b>	WATER RESISTANT WAS WATER PROOF	4-94	ERT	DRAWN	P.K.	7-86	PLD-TL-037
SYMBOL	REVISION	DATE	BY	APPV'D	APPV'D		REV B