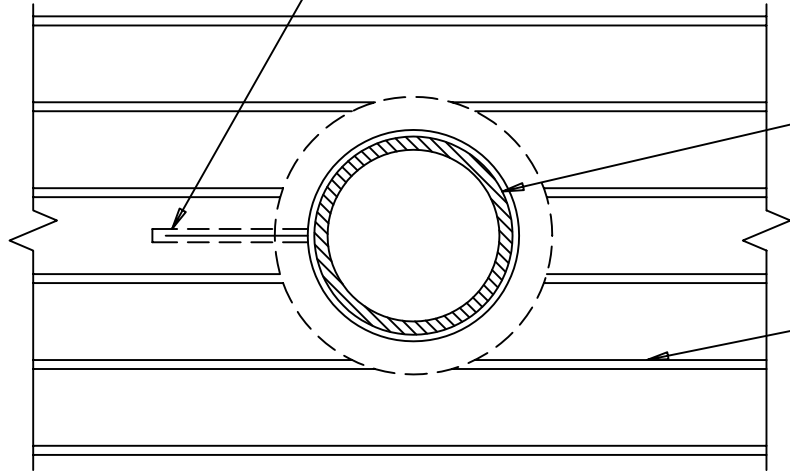
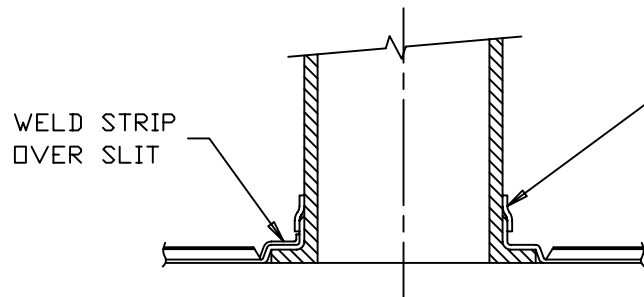


IF NEEDED SLIT MAIN SHEET PARALLEL TO TEES TO ALLOW FLANGE TO BE PLACED UNDER MAIN SHEET. WELD SLIT WITH WELD STRIP



CUT HOLE IN MAIN SHEET. DIAMETER OF HOLE TO BE APPROXIMATELY 2" LESS THAN DIAMETER OF PIPE OR CASTING. TRIM BACK TEES 1" ALL AROUND.

T-LOCK SHEET



WELD STRIP OVER SLIT

SEAL TO PIPE OR CASTING WITH 2" WIDE WATER RESISTANT TAPE, $\frac{3}{8}$ " WIDE HOSE CLAMP OR SIGNODE STRAPPING

NOTE:

FOR JOINT WELD SEE DETAIL PLD-TL-010

					Ameron PROTECTIVE LINING DIVISION				
					T-LOCK TERMINATION AT FLANGED PIPE OR CASTING				
▲	DRAWING REVISED	4-94	ERT		DRAWN	P.K.	7-86	PLD-TL-045	REV
SYMBOL	REVISION	DATE	BY	APPV'D	APPV'D				A