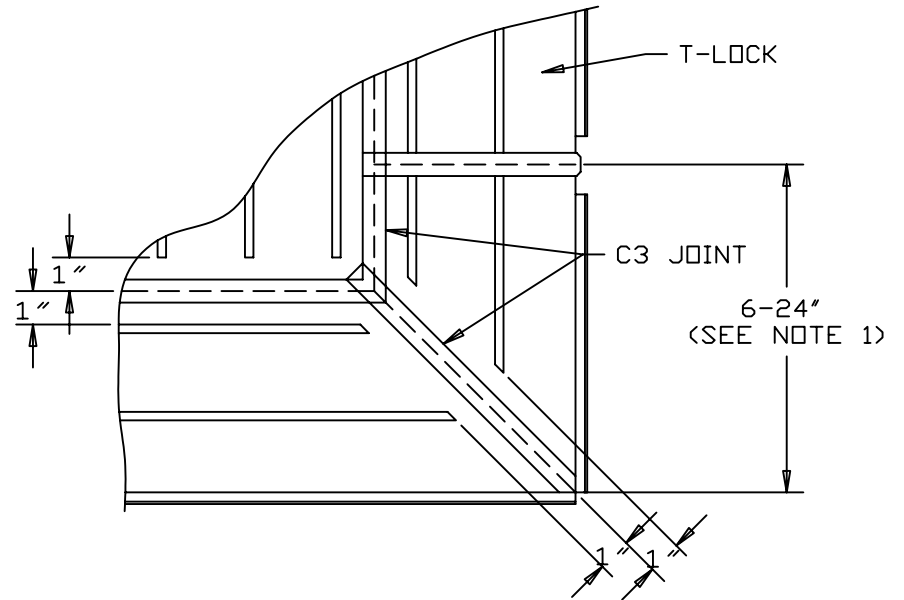


DETAIL 1

T's VERTICAL IN WALLS



DETAIL 2

T's HORIZONTAL IN WALLS

NOTES: (1) BEND SHEETS APPROXIMATELY 6-24" AROUND CORNER OF WALL CAREFULLY NOTCH T'S AS REQUIRED TO BEND.

△ (2) PLACE NAILS WITHIN $\frac{1}{8}$ " OF SHEET EDGES.

(3) FOR JOINT WELD SEE DETAIL PLD-TL-010

						PROTECTIVE LINING DIVISION		
								T-LOCK CORNER DETAIL
△	NOTE #1 1/8" WAS 1/4"	4-94	ERT	DRAWN	P.K.	7-86	PLD-TL-070	REV
SYMBOL	REVISION	DATE	BY	APPV'D	APPV'D			△