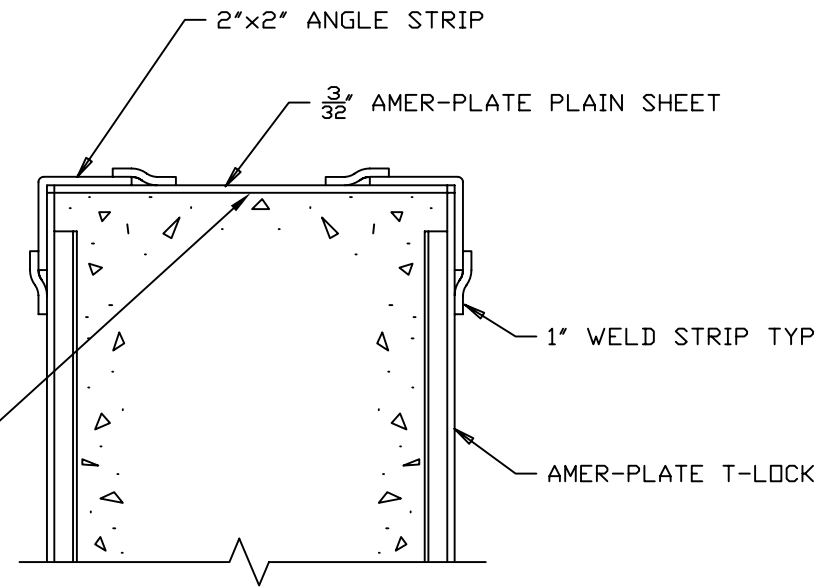


ALTERNATE "A"



ALTERNATE "B"

NOTE:

1. AMER-PLATE T-LOCK LINER ATTACHED TO FORMS PRIOR TO PLACING CONCRETE.
2. APPLY AMER-PLATE PLAIN SHEET TO TOP OF WALL FOLLOWING REMOVAL OF FORMS.

						PROTECTIVE LINING DIVISION	
DRAWN		P.K.		9-86		PLD-TL-098	
APPV'D						REV 0	

SYMBOL	REVISION	DATE	BY	APPV'D