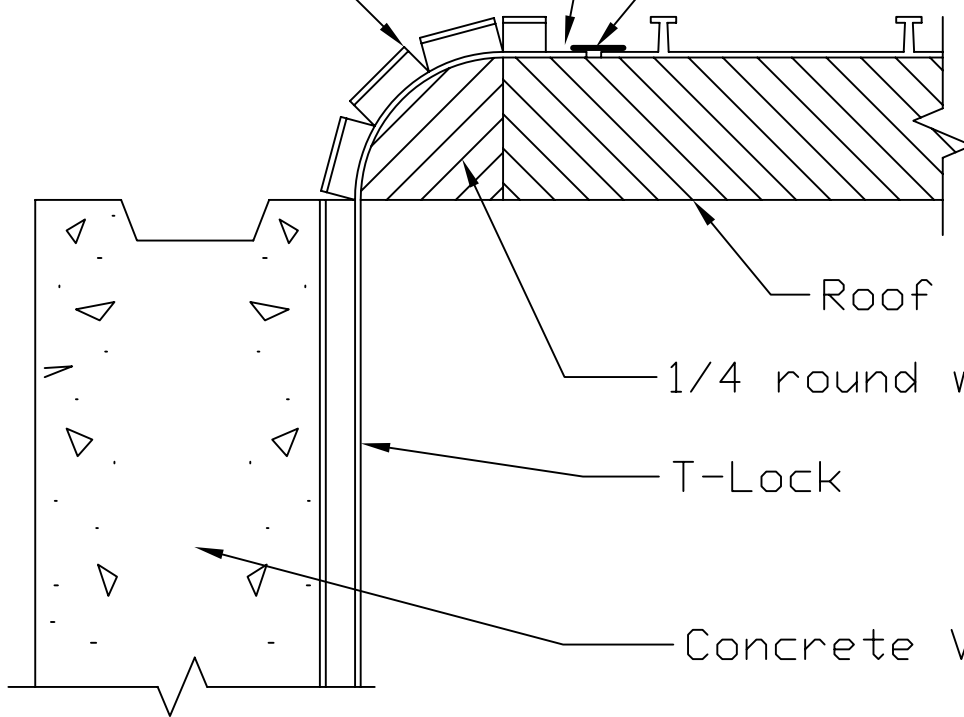


T's notched to allow bending (See Detail PLD-TL-220)

T's removed (if necessary) to allow space for water-resistant tape

Joint to be welded after from removed



Roof Form

1/4 round wood strip

T-Lock

Concrete Wall

Ameron PROTECTIVE LINING DIVISION

Corner Detail Walls Poured Before Roof

DRAWN JPG 1106
APPV'D

PLD-TL-250

REV
0