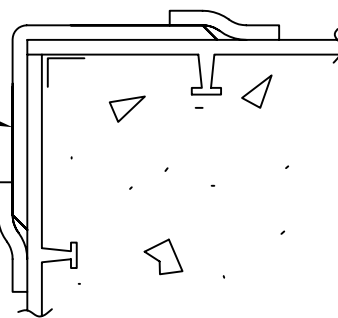


2 X 2 ANGLE STRIP

1" WELD STRIP



AFTER CONCRETE HAS CURED AND FORMS REMOVED WRAP CORNER WITH 2 X 2 ANGLE STRIP AND WELD WITH 1" WELD STRIP.



PROTECTIVE LINING DIVISION

FORM INSIDE CORNER  
T-LOCK LINER DETAIL

DRAWN  
APPV'D

JPG

4/07

PLD-TL-350

REV